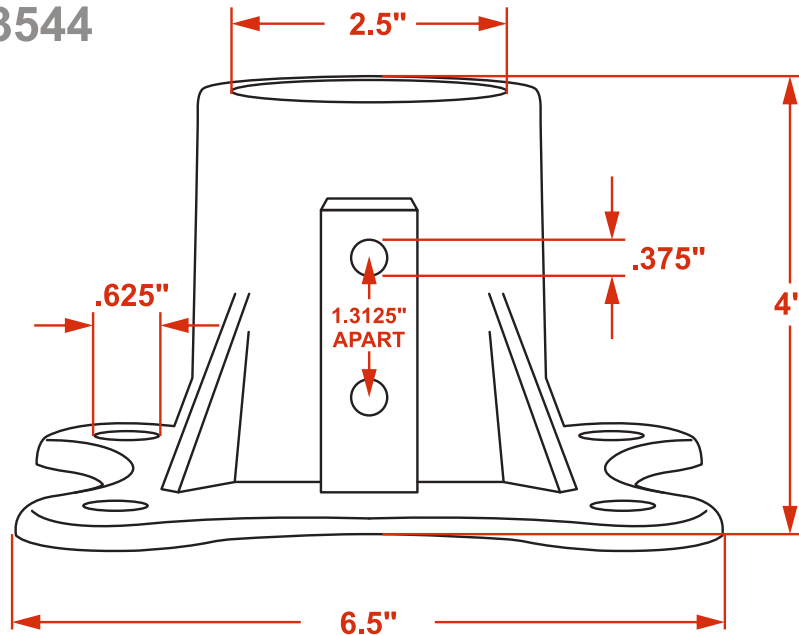


## Product Information Bulletin

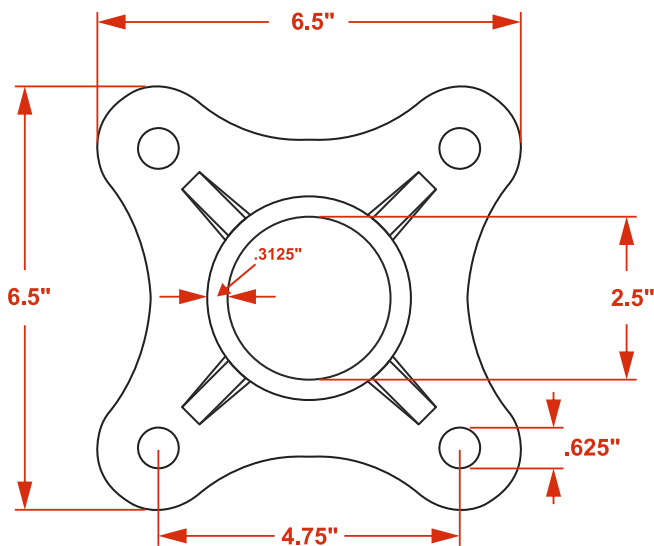
64 Outwater Lane, Garfield, NJ 07026 Ph: 973-340-7889 | Fax: 973-340-7809

# 2-3/8" Round Post Surface Mount Base

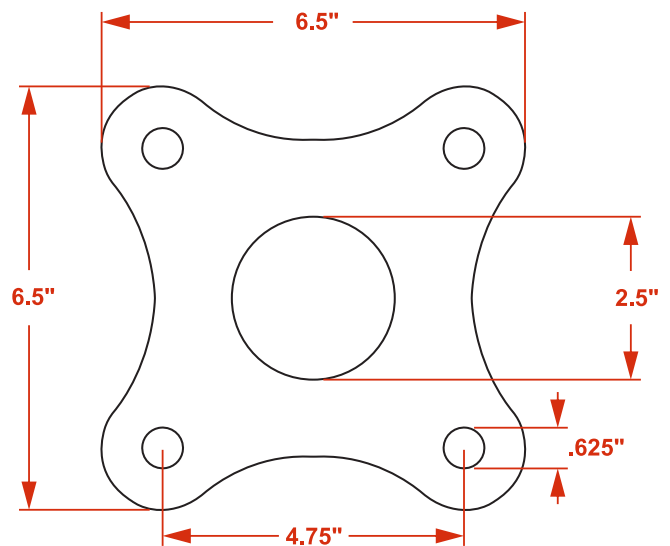
Brimar's #: Y3544



Front View



Top View



Bottom Footprint

DATE: \_\_\_ / \_\_\_ / \_\_\_

JOB: \_\_\_\_\_

CONTRACTOR: \_\_\_\_\_