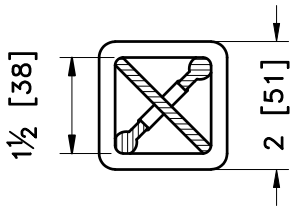


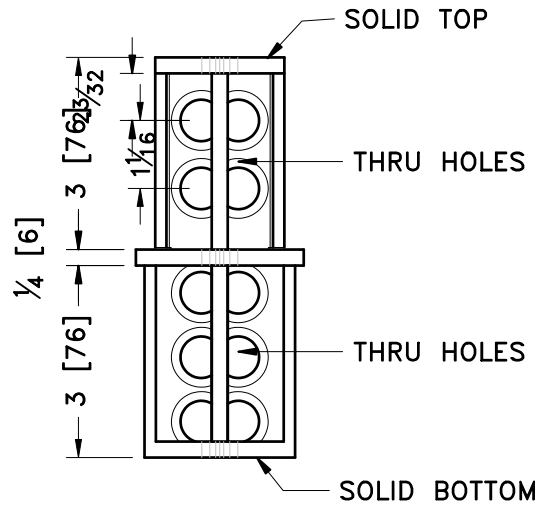
Product Information Bulletin

64 Outwater Lane, Garfield, NJ 07026 Ph: 973-340-7889 | Fax: 973-340-7809

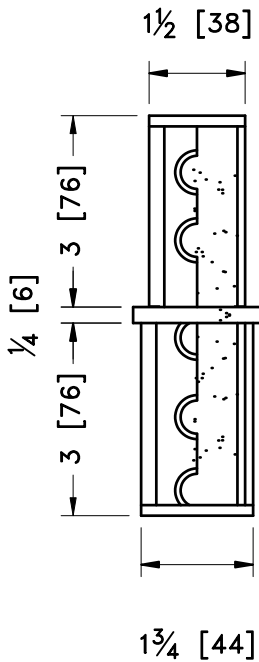
SNAP'n SAFE Square Sign Post Breakaway



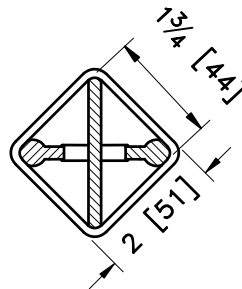
TOP SECTION



ROTATED 45° VIEW



FRONT VIEW



BOTTOM SECTION

DATE: ___ / ___ / ___

JOB: _____

CONTRACTOR: _____

Product Information Bulletin

64 Outwater Lane, Garfield, NJ 07026 Ph: 973-340-7889 | Fax: 973-340-7809

SNAP'n SAFE Square Sign Post Breakaway

Tools required: 1/2" socket and ratchet wrench

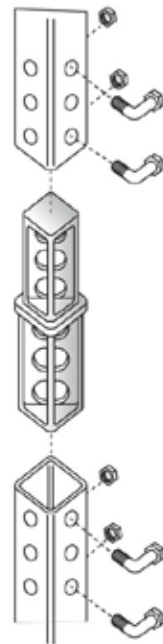
Installation instructions:

1. Remove any burrs or imperfections from the inside of the sign post and the anchor post.
2. Check hole location of the sign post and anchor post. The top holes on the anchor post must be 1/2" on center (+/- 1/8") from the top of the anchor post. The bottom holes of the sign post must be 1/2" on center (+/- 1/8") from the end of the sign post.
3. Determine the location for the in-ground anchor post.
4. Drive anchor post into the ground so only three (3) holes are visible. The anchor post must be straight and level at the completion of the installation.
5. Insert the larger end of the SNAP'n SAFE coupler into the ground anchor post.
6. Attach the SNAP'n SAFE coupler to the anchor post with the (2) larger RED corner bolts. Use the 1st and 3rd hole in the anchor post for proper alignment. Fasten (1) washer and (1) nut on each RED bolt. Secure hardware evenly by tightening each nut in an alternating pattern.

Note: RED bolts must be installed on the same side of the post.
MAX TORQUE = 21 FT LBS.

7. Slide the sign post over the top half of the SNAP'n SAFE coupler and attach with the (2) smaller SILVER corner bolts. Use the 2nd and 3rd hole in the sign post for proper alignment. Fasten (1) washer and (1) nut on each SILVER bolt. Secure hardware evenly by tightening each nut in an alternating pattern.
Note: SILVER bolts must be installed on the same side of the post.
MAX TORQUE = 21 FT LBS.

RED and SILVER CORNER BOLTS MUST BE INSTALLED ON SAME SIDE OF THE POSTS, AS SHOWN IN DIAGRAM.



DATE: ___ / ___ / ___ JOB: _____

CONTRACTOR: _____