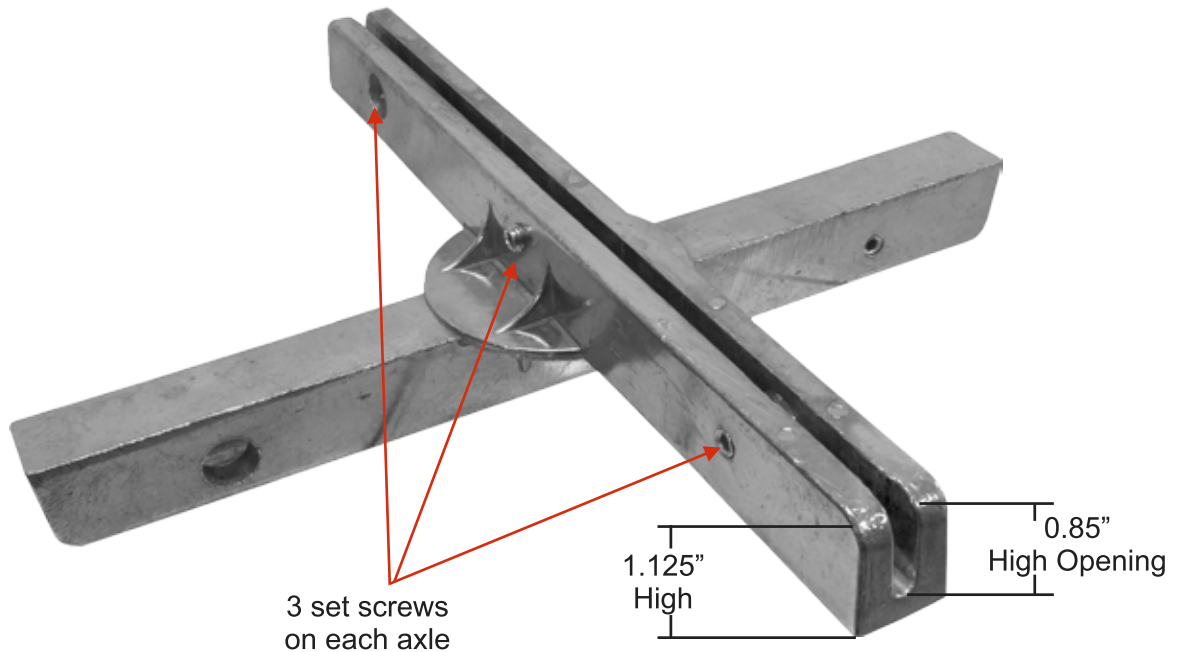


## Product Information Bulletin

64 Outwater Lane, Garfield, NJ 07026 Ph: 973-340-7889 | Fax: 973-340-7809

### 90 Degree Fixed Cross Separator For Street Name Signs



### Dimensions for Flat and Extruded Blade Bracket

Brimar Part# Y3503-C12F & Y3503-C12E

- 90° Cross Piece
- Weight 1.45 lbs

#### INCLUDED:

5/16" - 18 x 1/2" Set Screw / Qty: 6

#### INSTALLATION:

- 9/16" clearance holes allow secure and balanced installation
- 25-40 pounds of pressure is sufficient to secure sign
- Fasteners come pre-installed

#### QUALITY:

- Die Cast Brackets are cast from high strength aluminum under 400 tons pressure.
- Tensile strength 45,000 P.S.I. tumbled and degreased for smoothness and ease of handling.

DATE: \_\_\_ / \_\_\_ / \_\_\_ JOB: \_\_\_\_\_

CONTRACTOR: \_\_\_\_\_